



# **MV-U80D-CC CASSETTE CARRIER**

## **UV BOTSWANA TECHNICAL SPECIFICATION**



**8 TONNE UTILITY VEHICLE**

The Cassette carrier is a multi purpose vehicle that can incorporate a multitude of cassettes that can be loaded , transported and unloaded anywhere it is required underground. Loading/unloading of the cassette is a one man operation and the vehicle's drivetrain is hydrodynamic.

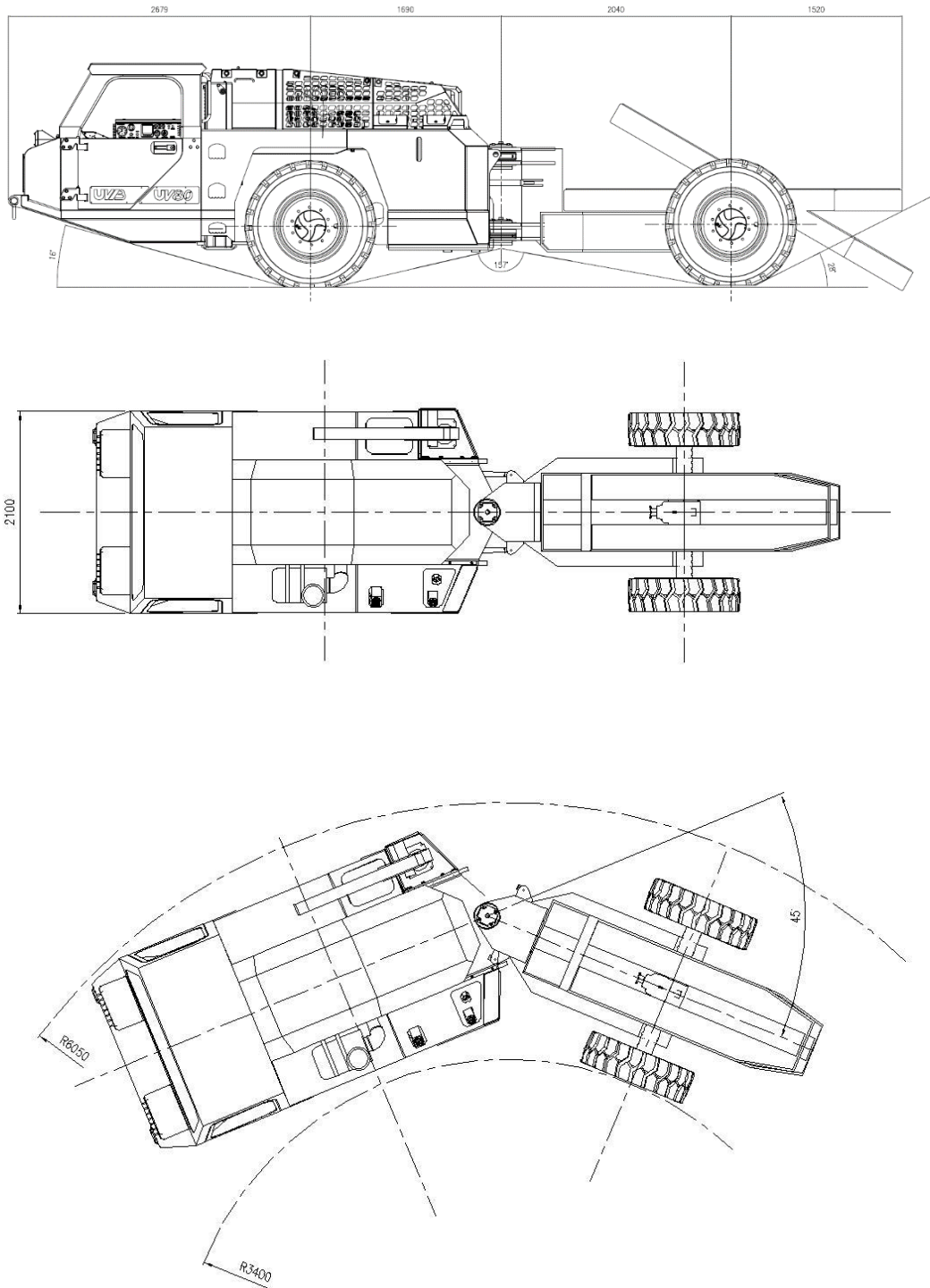


- **ENGINE OPTIONS**
  - Water-Cooled**  
Deutz TCD 2013 LO4i Tier 3
  - Air-Cooled**  
Deutz TCD 914 LO6 Tier 3
  - Catalytic Purifier & Fume Diluter
- **TRANSMISSION**  
Dana Clark T24000 Power Shift  
3-speed forward & reverse  
Constant 4-wheel drive
- **AXLES**  
Rigid, Planetary Hub Reduction  
123 Dana Spicer
- **BRAKES**  
Wet Disc Hydraulic Brakes  
Spring applied fail safe park brake  
On all 4 wheels  
Tyre size: 12:00 x 20
- **STEERING**  
Frame Articulation  $\pm 45^\circ$   
Orbital valve & steering wheel  
Frame Oscillation  $\pm 10^\circ$
- **HYDRAULICS**  
200 bar, 90 l/min  
Load Sensing system
- **ELECTRICAL SYSTEM**  
24V negative earth  
80A alternator  
Lights Halogen 50W 4 forward  
2 rear with red brake lights  
LED Navigation Lights  
C.A.S. System – Optional  
OVERSPEED System –Optional  
DATA Logging – Optional
- **PERFORMANCE**  
1<sup>st</sup> gear: 5km/hr (max)  
2<sup>nd</sup> gear: 12km/hr  
3<sup>rd</sup> gear: 28km/hr
- **WEIGHT**

Operating:	11000 kg
Max Payload:	8000 kg
- **DIMENSIONS**

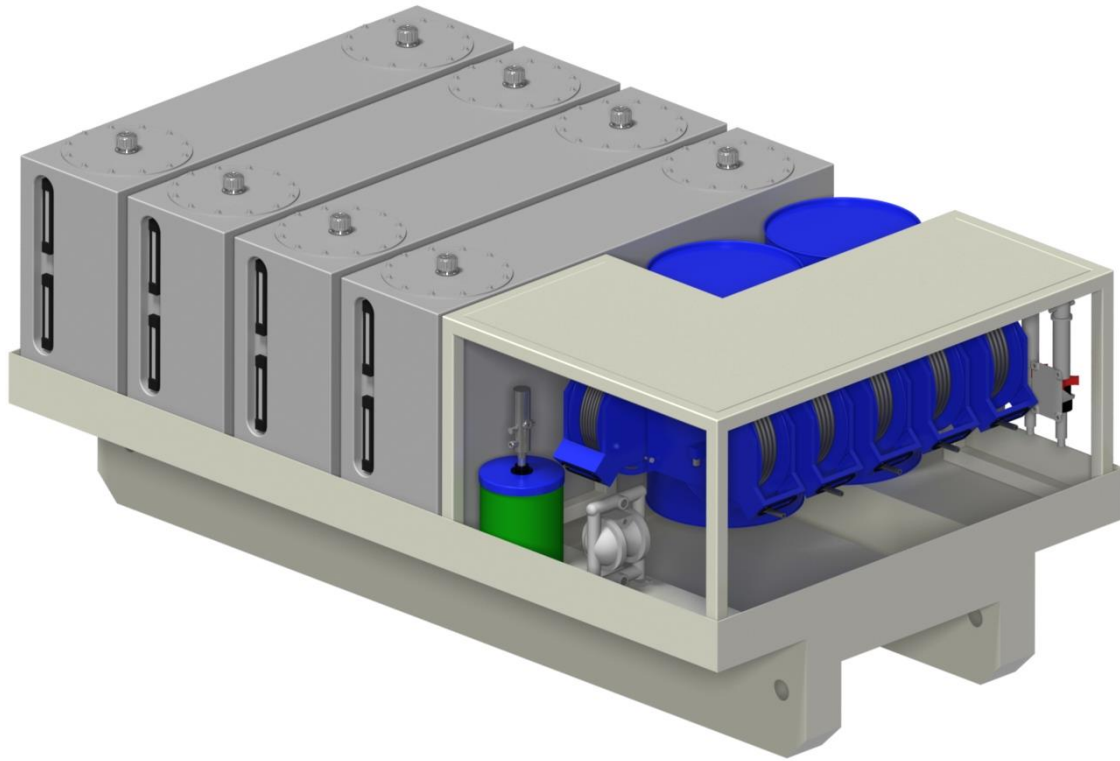
Length (GP Cassette)	8285mm
Width	2100mm
Height	2200mm
Wheel base	3730mm
Ground Clearance	275mm
- **TURNING RADIUS**

Outer	6400mm
Inner	3900mm



# LUBE & FUEL CASSETTE

## TECHNICAL SPECIFICATIONS



### ▪ TANK CONFIGURATION

Diesel	1000L
Hydraulic oil	1000L
Engine oil	1000L
Gear oil	500L
Transmission oil	500L

### ▪ TRANSFER EQUIPMENT

Grease dispensing equipment 18kg  
Pneumatic transfer pumps

### ▪ WASTE OIL

2 x 210L Drums

### ▪ WEIGHT

Operating:	2200 kg
Max Payload:	4000 kg

### ▪ DIMENSIONS

Length	3650mm
Width	2100mm
Height	1550mm

### ▪ OTHER OPTIONS

Available upon request.



### ▪ SPECIFICATIONS

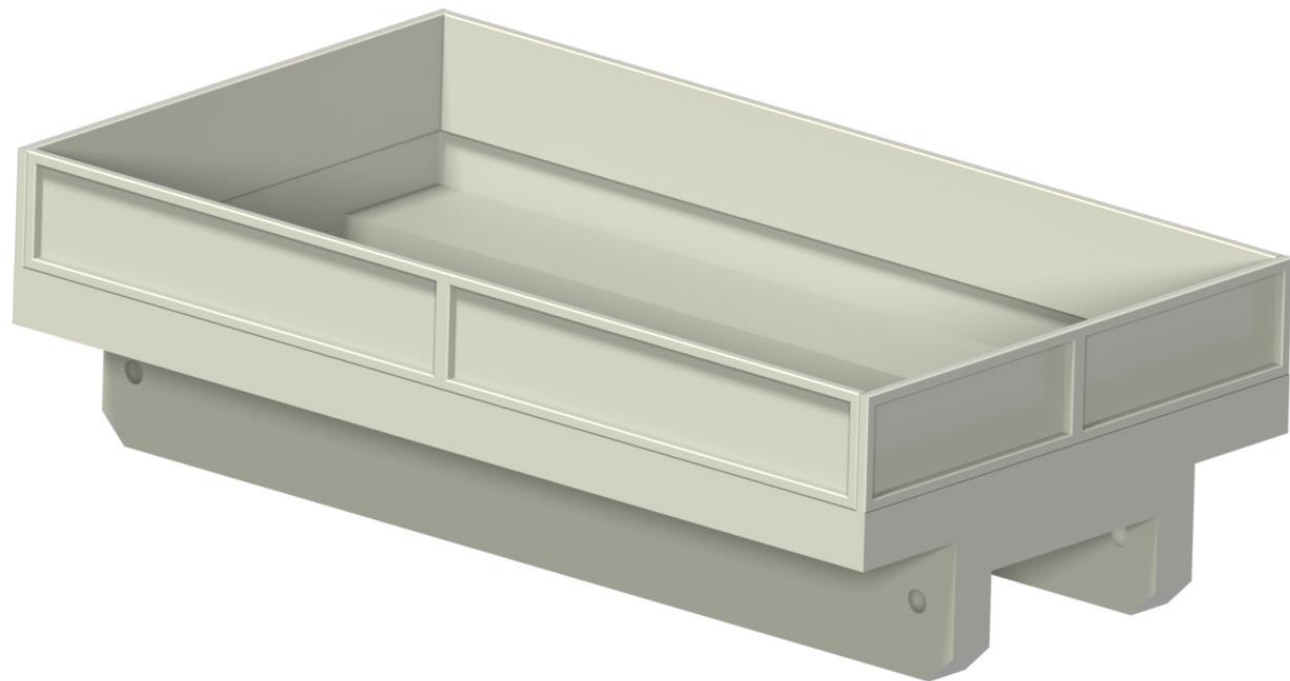
Mild steel cabinet (Rubber lined)  
Lockable doors on 3 sides.  
Greaseable hinges.  
Painted with 2K enamel.

### ▪ WEIGHT

Operating: 1800 kg  
Max Payload: 6000 kg

### ▪ DIMENSIONS

Length 3650mm  
Width 2100mm  
Height 1550mm  
Useable volume 7m<sup>3</sup>



### ▪ SPECIFICATIONS

Checker Plate floor  
Drop sides  
Load securing points.  
Painted with 2 K enamel

### ▪ WEIGHT

Operating: 1800 kg  
Max Payload: 6000 kg

### ▪ DIMENSIONS

Length 3650mm  
Width 2100mm  
Height 1100mm