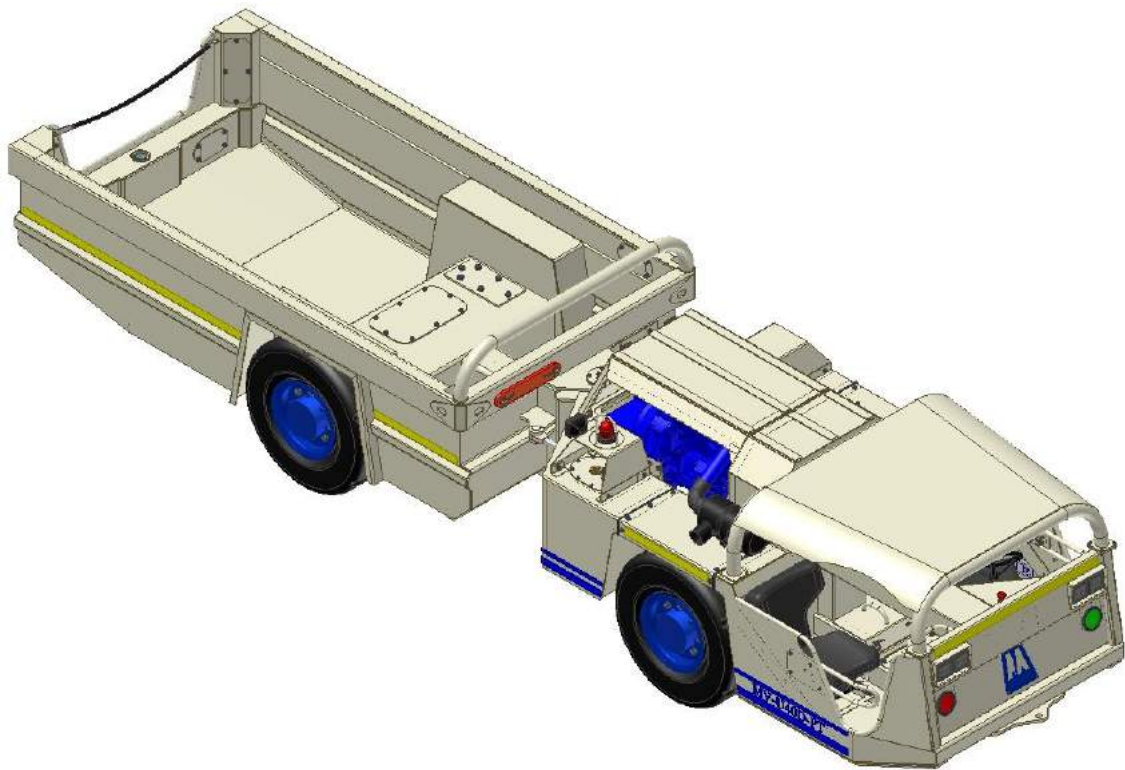


The general purpose transport utility vehicle is the flagship of our product range. This versatile design lends itself to a multitude of applications and can be easily modified to suit customer's requirements.



- **ENGINE OPTIONS**

- Air-Cooled**

- Deutz F4L914 EPA Tier 2

- Catalytic Purifier & Fume Diluter

- **TRANSMISSION**

- Dana Clark Power Shift
3-speed forward & reverse
Constant 4-wheel drive

- **AXLES**

- Rigid, Planetary Hub Reduction
112 Dana Spicer

- **BRAKES**

- Wet Disc Hydraulic Brakes
Spring applied fail safe park brake
On all 4 wheels
Tyre size: 8.25 x 15

- **STEERING**

- Frame Articulation $\pm 34^\circ$
Orbital valve & steering wheel
Frame Oscillation $\pm 10^\circ$

- **HYDRAULICS**

- 175bar, 65lit/min

- **ELECTRICAL SYSTEM**

- 24V negative earth
55A alternator
Lights Halogen 50W 4 forward
2 rear with red brake lights
LED Navigation Lights
C.A.S. System – Optional
Overspeed System –Optional
Data Logging – Optional

- **PERFORMANCE**

- 1st gear: 5km/hr (max)
2nd gear: 12km/hr
3rd gear: 28km/hr (Lock out option)

- **WEIGHT**

- Operating: 3960kg
Max Payload: 4000kg

- **DIMENSIONS**

- Length 6969mm
Width 1700mm
Height 1400mm
Wheel base 2715mm
Ground Clearance 260mm

- **TURNING RADIUS**

- Outer 5764mm
Inner 3568mm

